

TYPE : RS9-AL-400P VER:A

Preheat Start Ballast
AC Source : 198~305V 50/60Hz

Power : 260~400W

Product Picture



Product Label (Label Can be Customized)

ELECTRONIC BALLAST FOR UV LAMPS
RS9-AL-400P
0951 04
220 to 277V 50/60Hz
Max.Current 1.90A @ 230V

CE
RoHS
Class P
High Power Factor

U-OUT: 350V PF(A): 0.98 Electronic Switch: Vmax 32V/AC 50V/DC Imax 50mA
Tc: Max.70°C Ta: -15~40°C Lamp on: On Lamp fault: Off

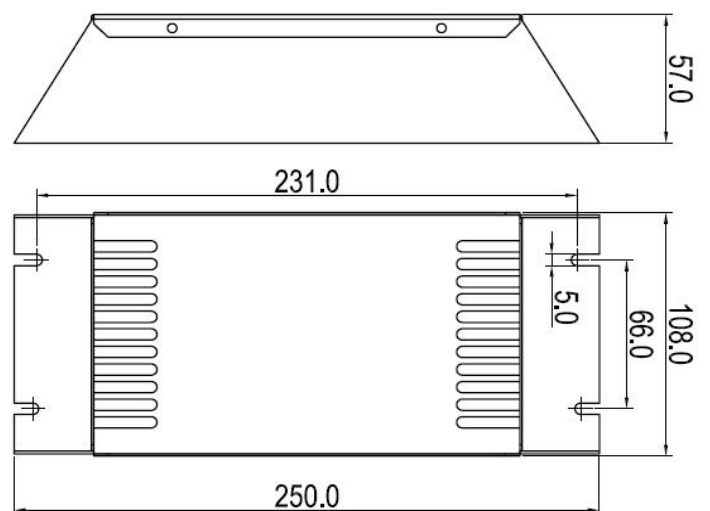
Note:
DC 5V Signal or Electronic Switch can only be chosen one at the same time. Ballast case must be grounded.

Remote controlled operation via PWM digital signal.
Dimming range 0%~100% of lamp power.

DIP-switch settings	Lamp Current	Preheat Current	Preheat Time
00 = 2.8A	Max.300W	00 = 2.5A	0 = 0S
01 = 3.1A	Max.360W	01 = 3.0A	1 = 2S
10 = 3.6A	Max.370W	10 = 3.5A	1 = 2S
11 = 3.8A	Max.400W	11 = 4.0A	

N L PWM
 1 2 3 12 13

Product Dimensions

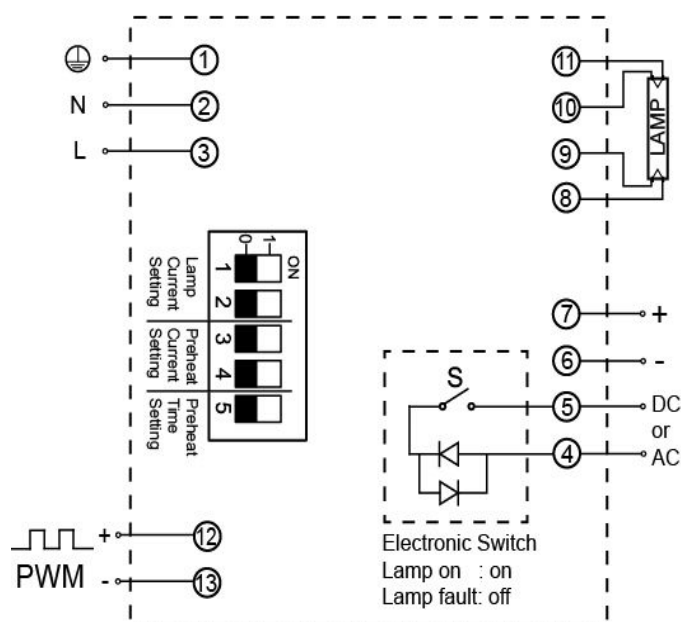


TYPE : RS9-AL-400P VER:A

Preheat Start Ballast
AC Source : 198~305V 50/60Hz

Power : 260~400W

Wiring Diagram



Features & Functions

- Preheat Start
- Limiting Current and Power
- Lamp Open Protection
- Lamp Fault Protection
- PWM Dimming Interface
- Status Indication:
 - ▶ Green and red LED indicate operation status
 - ▶ DC 5V Signal
Lamp on: Max.5V/DC, Max.5mA, Lamp fault: 0V
 - ▶ Electronic Switch
Lamp on: On, Lamp fault: Off
 - ▶ DC 5V Output or Electronic switch can only be chosen one at the same time.

Electrical Specification

- Input Mains Voltage: 220~277V±10%
- Input Line Frequency: 47~63Hz
- Input Current: Max.1.90A at 230Vrms
- Input Power: 275~420W
- Power Factor: 0.98 typ.
- Output Frequency: >25KHz
- Crest Factor: <1.7
- Current THD: <10% typ.
- Preheat Time: Optional 12S,20S
- Preheat Current: Optional 2.5A,3.0A,3.5A,4.0A
- Output Current: Optional 2.8A,3.1A,3.8A,3.8A typ.
- Lamp Power: 260~400W
- Lamp Type: 300W/2.8A, 260W/3.1A, 270W/3.8A, 400W/3.8A
- Efficiency: 95% Max. load
- Power Dimming Range: 60~100% Power at D20~100%
- PWM Signal: 5V or 12V, 200~1kHz
- Status Indication: Green and red LED
- Signal Output: Max.5V/DC, Max.5mA
- Electronic Switch: Vmax.32V/AC,50V/DC,Imax.50mA
- Protections: Lamp Open / Fault
- Tc-temperature: Max. 70°C
- Ta-temperature: -15~40°C
- Storage: -40~85°C
- Approvals: CE (LVD EMC)
- IP Code: IP20
- Dimensions: 250×108×57mm

Note

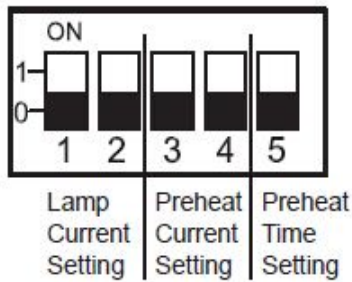
- ▶ Once the DIP is setted up, please do not make any change, otherwise the lamps may be damaged.
- ▶ When the Tc temperature is over 70°C, please add a heat-dissipation device.

TYPE : RS9-AL-400P VER:A

Preheat Start Ballast
AC Source : 198~305V 50/60Hz

Power : 260~400W

Operating Instructions



DIP-switch Settings

Lamp Current Switches set to	Preheat Current Switches set to	Preheat Time Switches set to
00=2.8A Max.300W	00=2.5A	0=12S
01=3.1A Max.260W	01=3.0A	1=20S
10=3.8A Max.270W	10=3.5A	
11=3.8A Max.400W	11=4.0A	

Recommended DIP-switch Settings

Lamp Current DIP Position	Preheat Current DIP Position	Preheat Time DIP Position	Lamp Power DIP Position	Lamp Type
00=2.8A	00=2.5A	0=12S	Max.300W	300W/2.8A
01=3.1A	01=3.0A	1=20S	Max.260W	TUV250WXPT UVI300T8
10=3.8A	11=4.0A	0=12S	Max.270W	GPHHA1500T10L
10=3.8A	10=3.5A	1=20S	Max.270W	TUV270WXPT
11=3.8A	11=4.0A	0=12S	Max.400W	NNI400/147XL

Product Packing Information

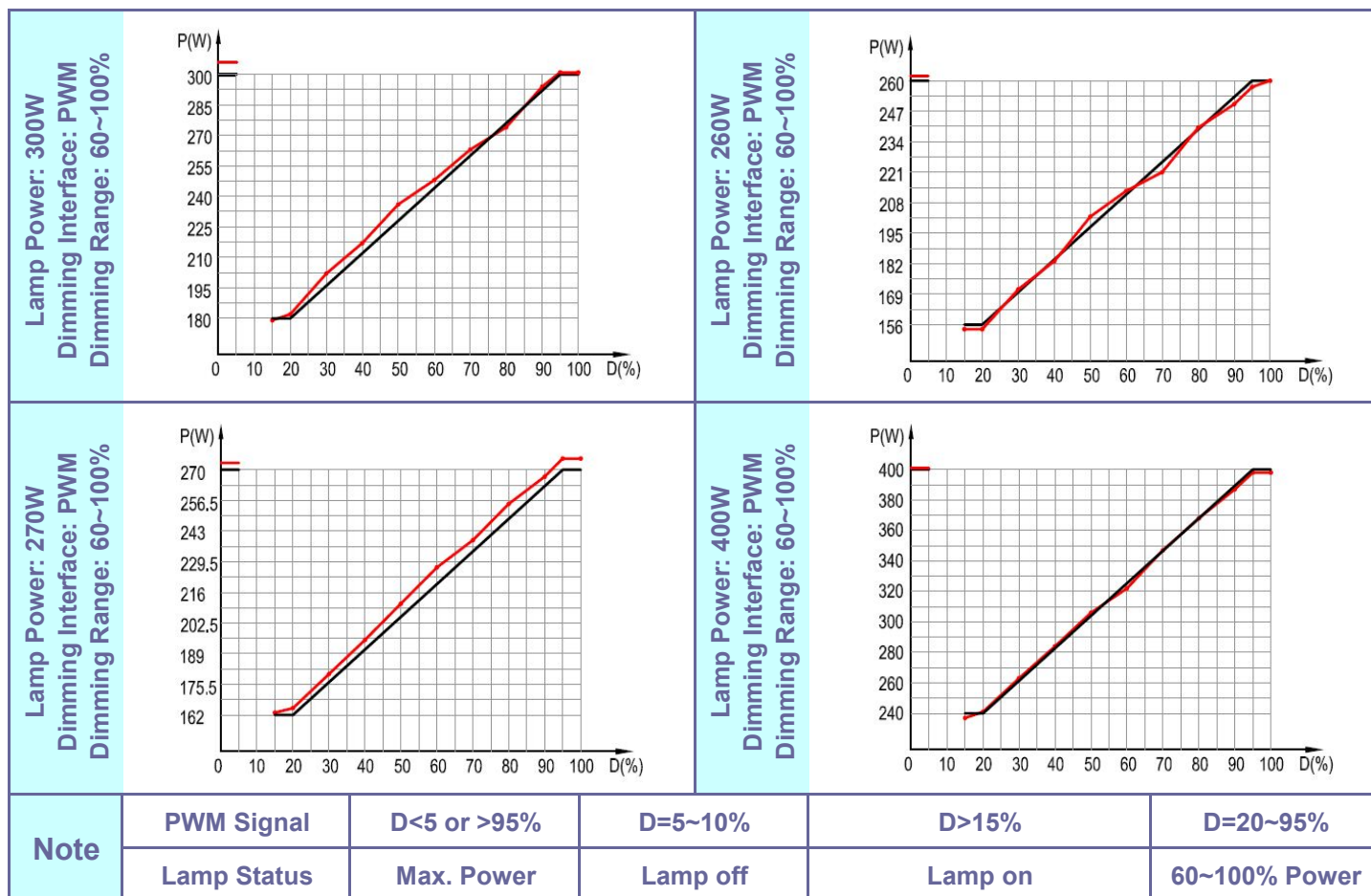
Article No.	Type	Inner Box		Carton			Pallet		
		Size [mm]	Weight [kg]	Quantity [pcs]	Size [m³]	Weight [kg]	Quantity [pcs]	Size [m³]	Weight [kg]
8200095104	RS9-AL-400P	255*119*69	1.17	12	0.038	14.93	360	1.38	460

TYPE : RS9-AL-400P VER:A

Preheat Start Ballast
AC Source : 198~305V 50/60Hz

Power : 260~400W

Dimming Instructions



Similar Product Ordering Information

Article No.	Type	Lamp Power	Lamp Type
8000091102	RH9-2100-320	200~320W	GPHHA1000T6L GPHHA1554T6L/2.1A
8000091103	RH9-AL-320	200~320W	200~240W/1.8A 200~320W/2.1A 200~300W/2.9A
8200095127	RS9-AL-320P	200~330W	240W/1.8A 320W/2.1A 270W/2.5A 330W/3.3A
8200095104	RS9-AL-400P	260~400W	300W/2.8A 260W/3.1A 270W/3.8A 400W/3.8A
8200095105	RS9-AL-500P	330~500W	350W/4.0A 330W/4.6A 470W/5.0A 500W/5.0A
8000091206	RH9-1000-2/155	2*100~150W	GPH1554T5HO GHO64T5 TUV64T5HO TL100W